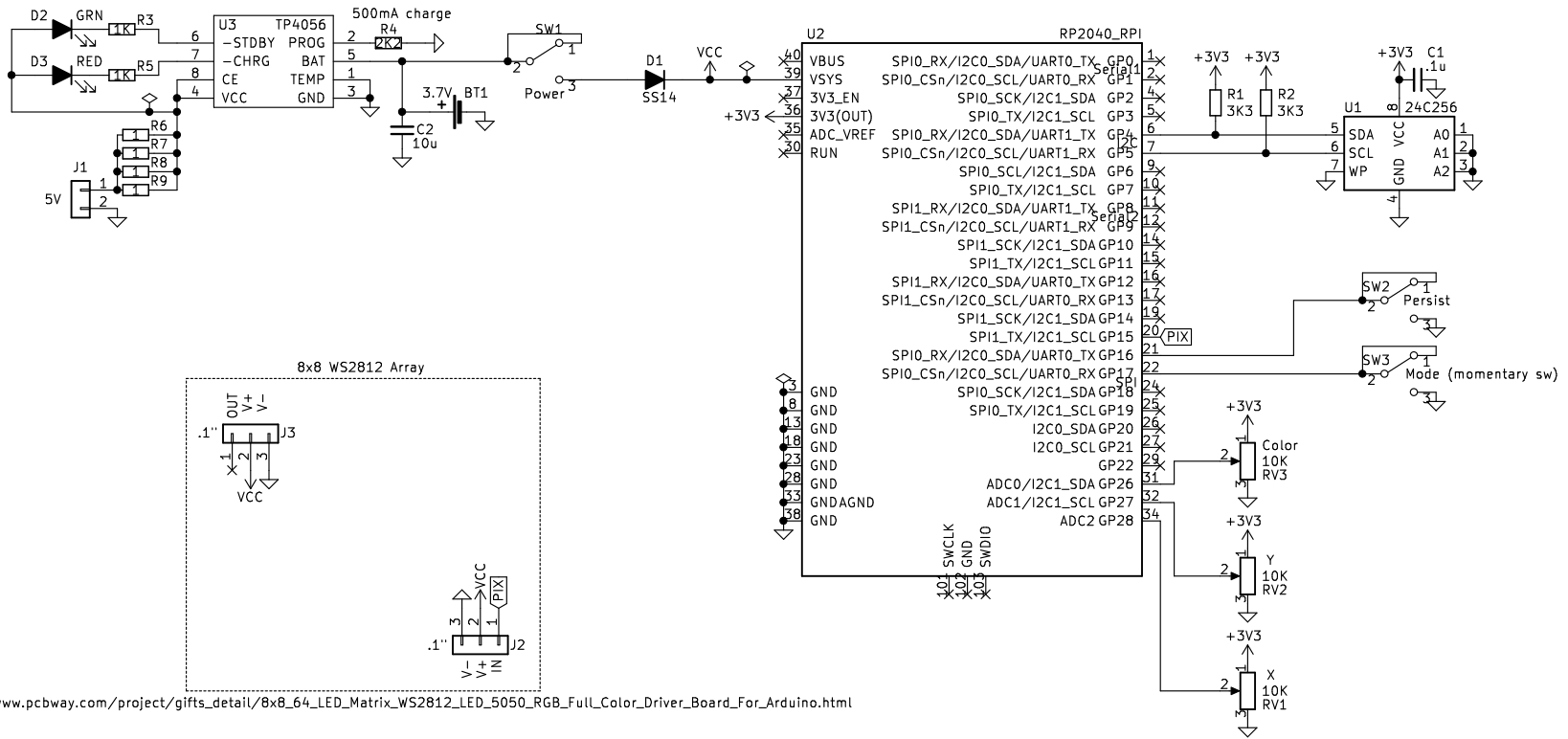


RGB Fidget

R.S.Pierce 2024.06.21



https://www.pcbway.com/project/gifts_detail/8x8_64_LED_Matrix_WS2812_LED_5050_RGB_Full_Color_Driver_Board_For_Arduino.html