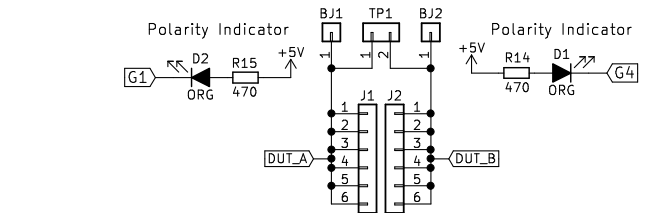
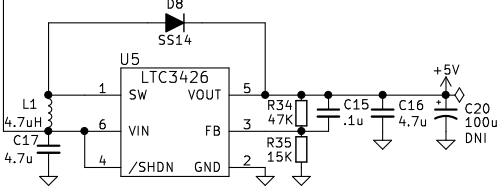
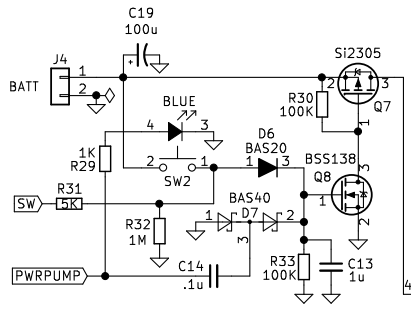
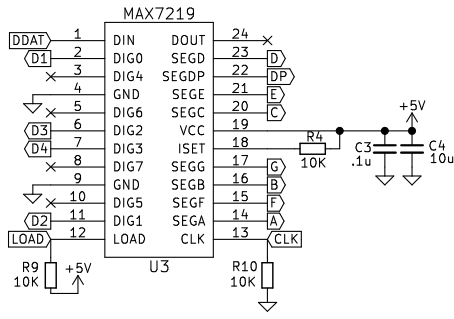
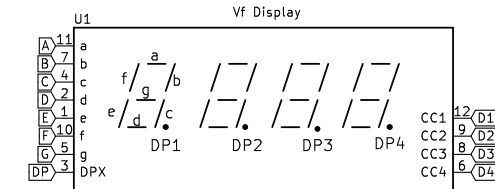


# LED Tester

PCB j724



Device Under Test  
LED, Bi-Directional LED, or Diode  
Vf 0.0V to 4.5V

