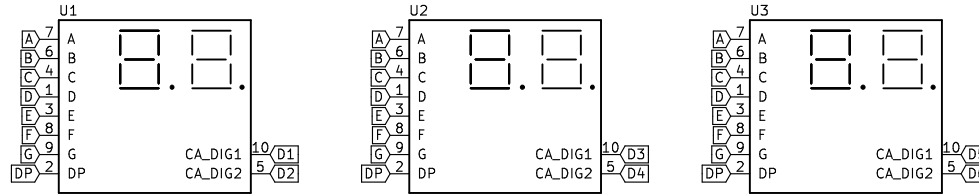
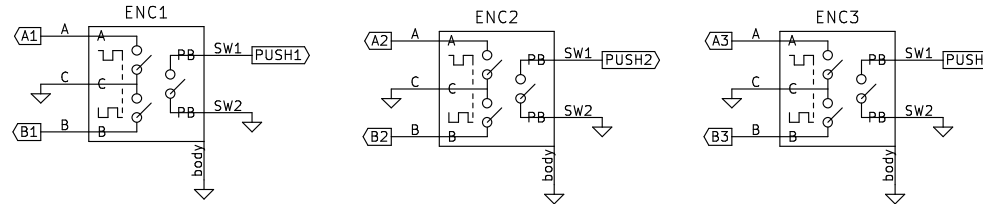


Rotary Encoder Thing 2

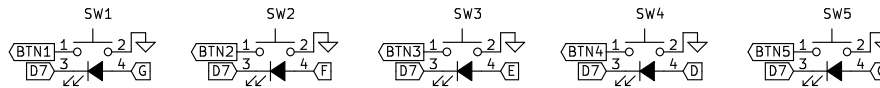
2018.07.04 R.S.Pierce



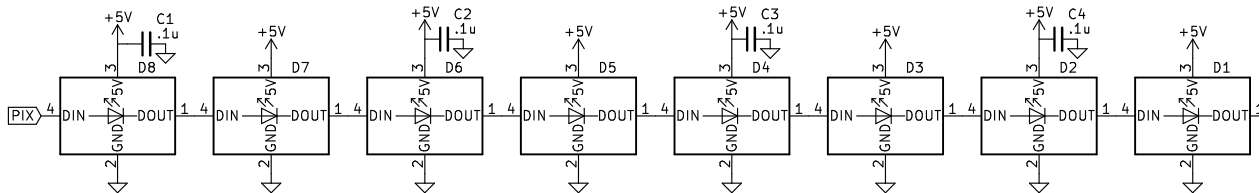
3x Dual 7 Segment Display



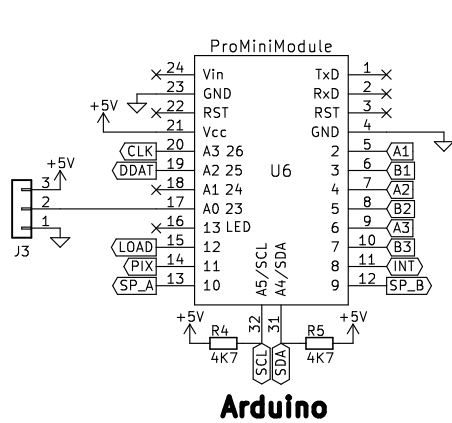
3x Rotary Encoders with Push Switch



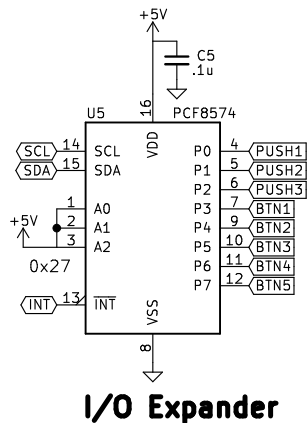
5x Lighted Pushbuttons



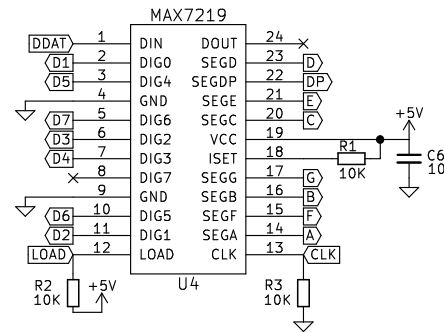
8x RGB LEDs



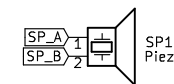
Arduino



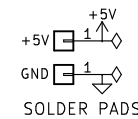
I/O Expander



LED Driver



Speaker



5V/500mA Power Input