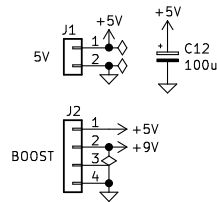
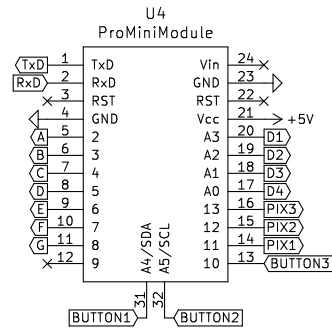
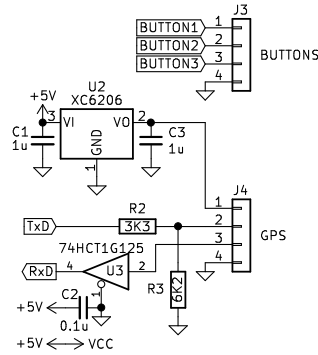
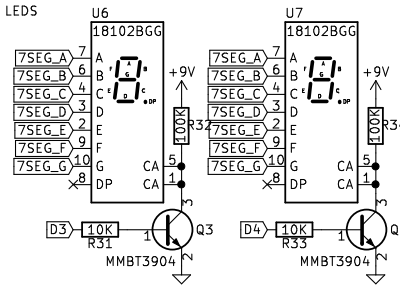
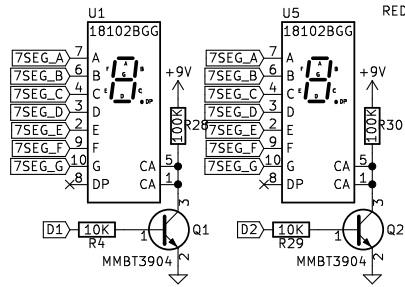


Garage Clock Replacement PCB

2020.02.09 R.S.Pierce



Sheet: Addressable LEDs



File: file5E40ED8E.sch

