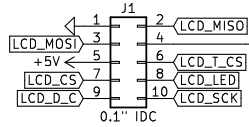


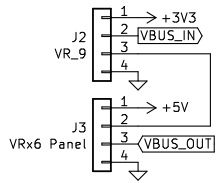
# Fearless TSynth 2023

2023.05.05 R.S.Pierce  
PCB N505

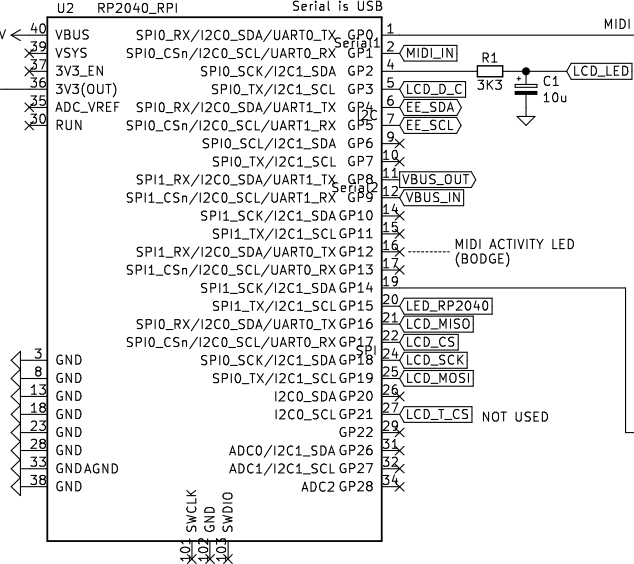
## 320x240 LCD



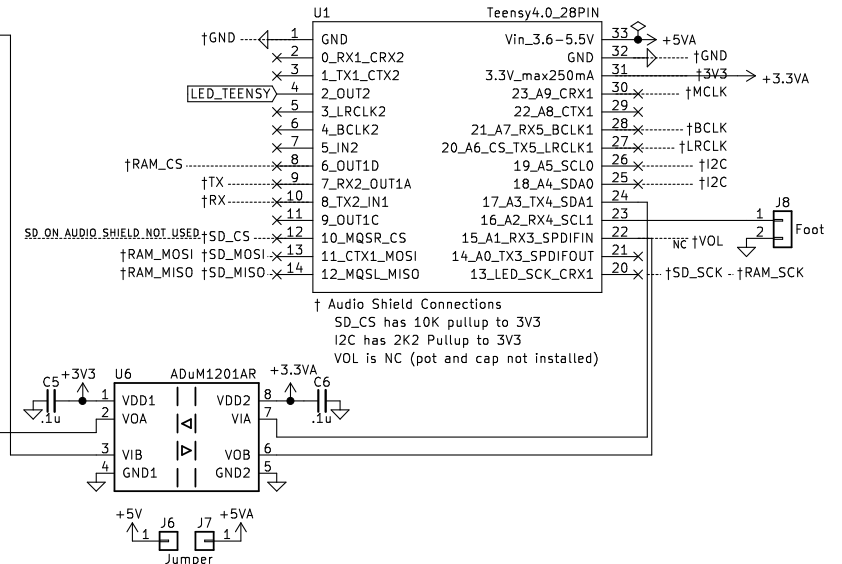
## VelociBus



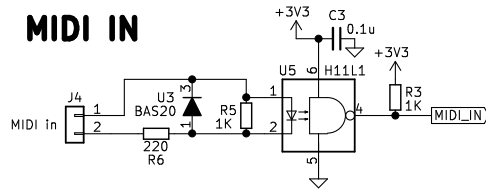
## User Interface



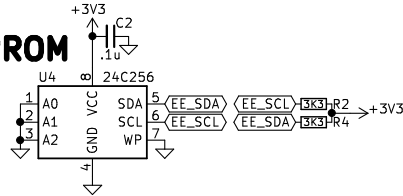
## Synthesizer



## MIDI IN



## EEPROM



## DIAGNOSTIC INDICATORS

